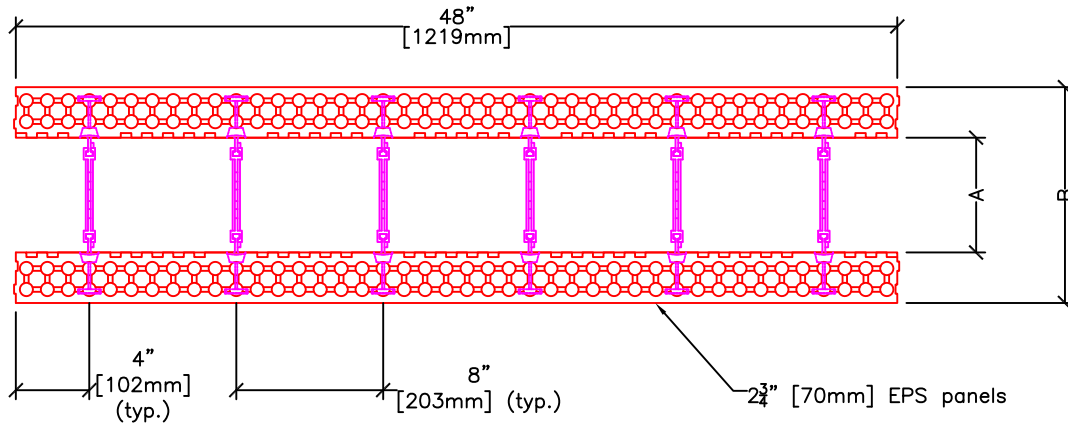
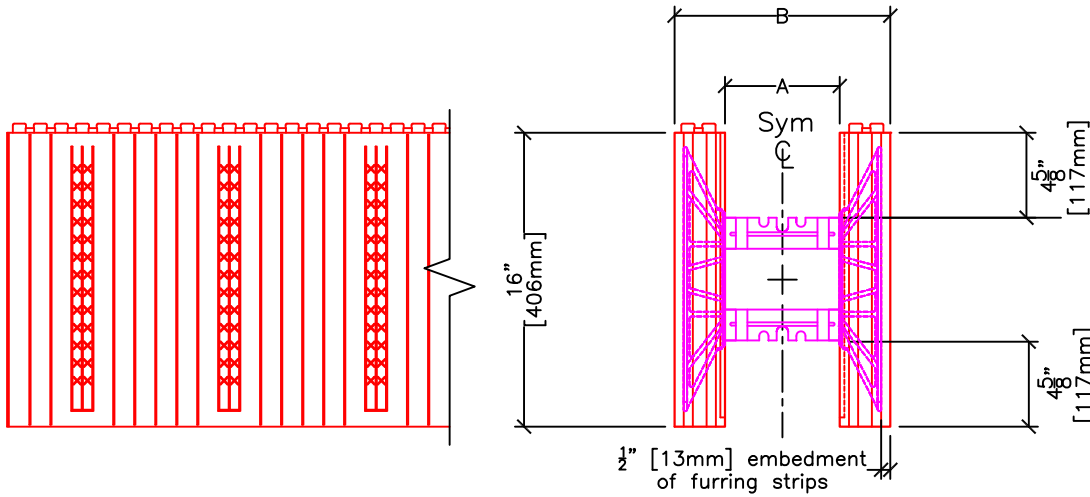


NOTES:

1. 6 $\frac{1}{4}$ " [159mm] LOGIX Standard Knockdown Form shown.
2. For rebar slot locations on web ties see Knockdown Corner Form dwgs.

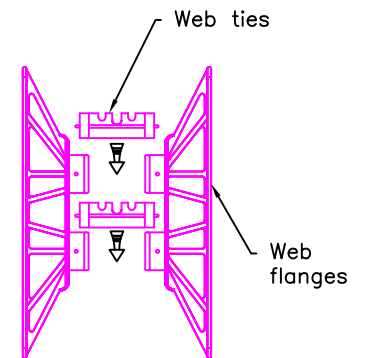
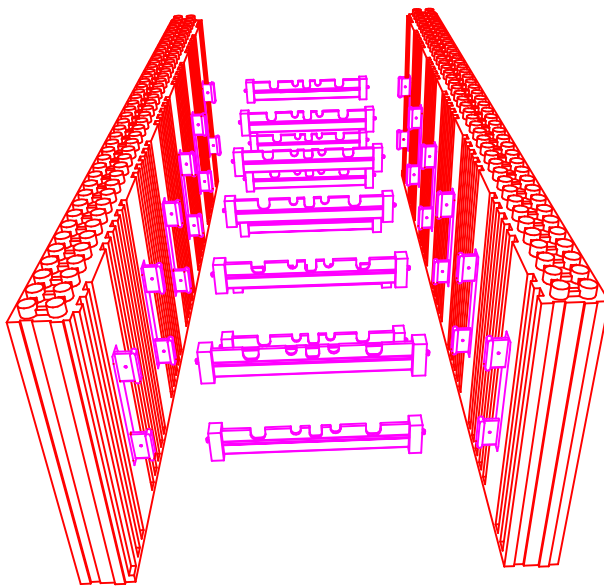


PLAN VIEW



SIDE ELEVATION

END VIEW



WEB COMPONENTS
(NTS) (See Note 2)

FORM SIZES					
	4" (102mm)	6.25" (159mm)	8" (203mm)	10" (254mm)	12" (305mm)
A	N/A	6.25" (159mm)	8" (203mm)	10" (254mm)	12" (305mm)
B	N/A	11.75" (298mm)	13.5" (343mm)	15.5" (394mm)	17.5" (445mm)



The drawing represented herein is to be used as a reference guide only; the user shall check to ensure the drawing meets local building codes and construction practices by consulting local building officials and professionals, including any additional requirements. Logix reserves the right to make changes to the drawing without notice and assumes no liability in connection with the use of the drawing including modification, copying or distribution.

Drawing:
KSB

Date:
Aug 21/08

Title:

KNOCKDOWN STANDARD FORMS