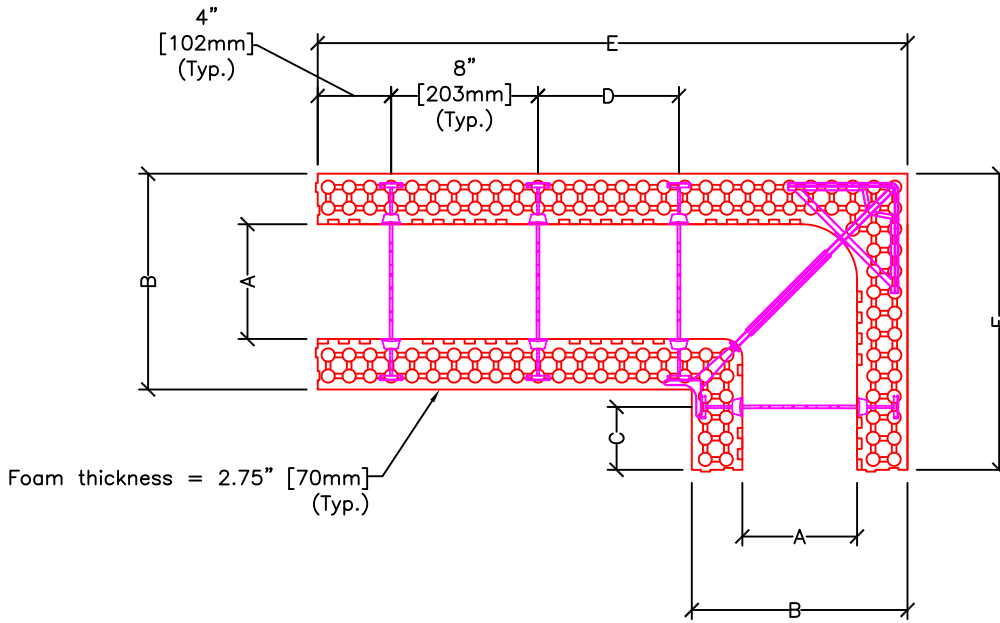
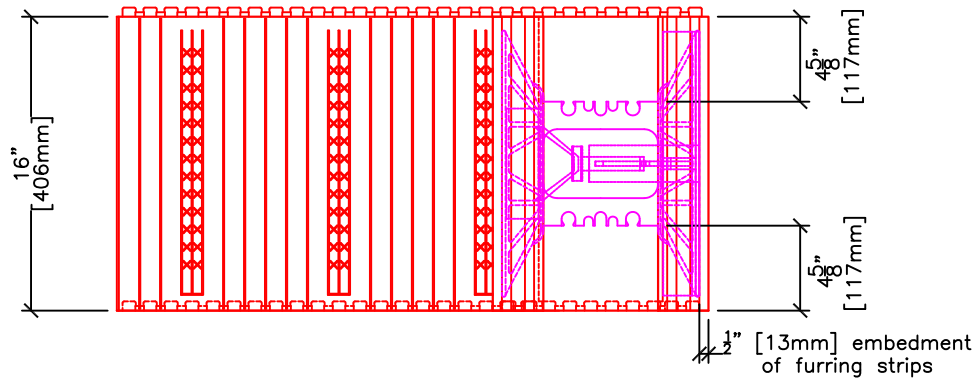


**NOTES:**

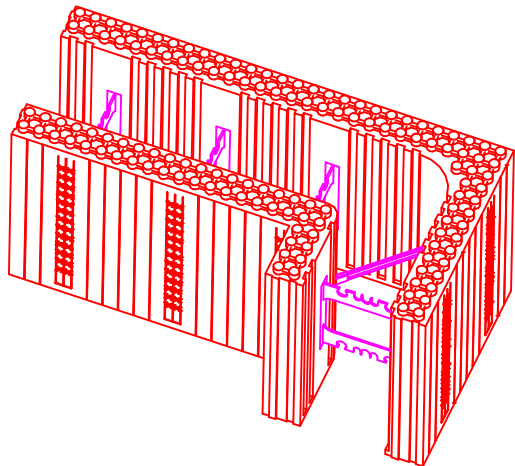
1. 6 $\frac{1}{4}$ " [159mm] Left Corner Form shown



**PLAN VIEW**



**SIDE ELEVATION**



	FORM SIZES			
	4" (102mm)	6.25" (159mm)	8" (203mm)	10" (254mm)
A	4" (102mm)	6.25" (159mm)	8" (203mm)	10" (254mm)
B	9.5" (241mm)	11.75" (298mm)	13.5" (343mm)	15.5" (394mm)
C	3.5" (90mm)	3.375" (87mm)	2.25" (57mm)	2.125" (55mm)
D	7.67" (195mm)	7.67" (195mm)	6.125" (157mm)	5.875" (150mm)
E	32.125" (816mm)	32.125" (816mm)	32.125" (816mm)	34.5" (876mm)
F	16.125" (410mm)	16.125" (410mm)	16.125" (410mm)	18.5" (470mm)

\* 159mm (6.25"), 203mm (8"), 254mm (10"), and 305mm (12") knockdown forms will be available in 2008.



The drawing represented herein is to be used as a reference guide only; the user shall check to ensure the drawing meets local building codes and construction practices, including any additional requirements. Logix reserves the right to make changes to the drawing without notice and assumes no liability in connection with the use of the drawing including modification, copying or distribution.

Drawing:  
LHCB-Rev8

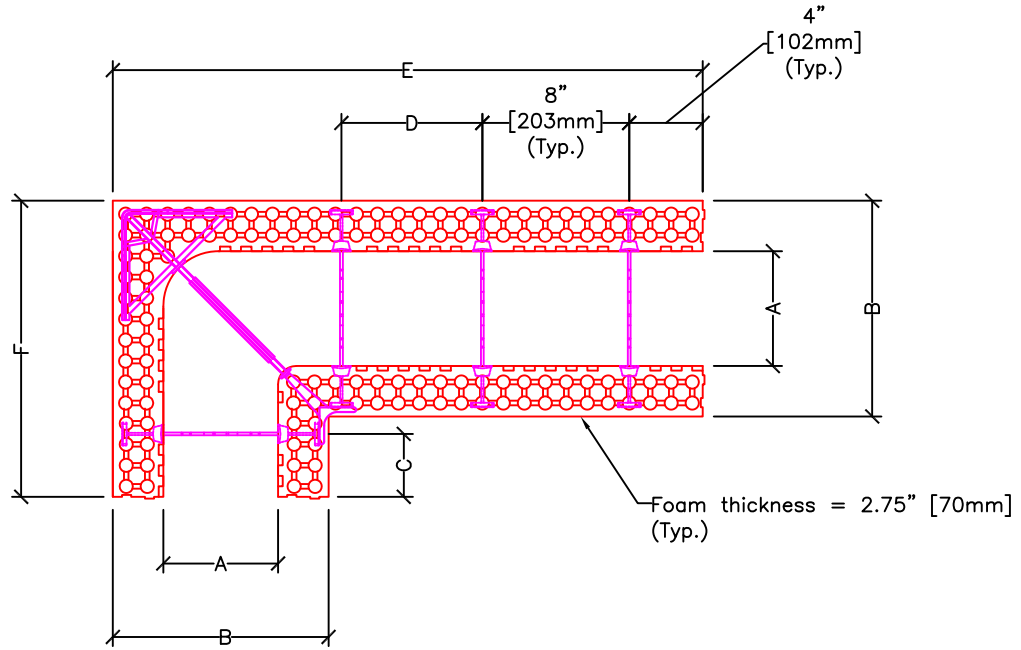
Date:  
Oct 25/07

Title:

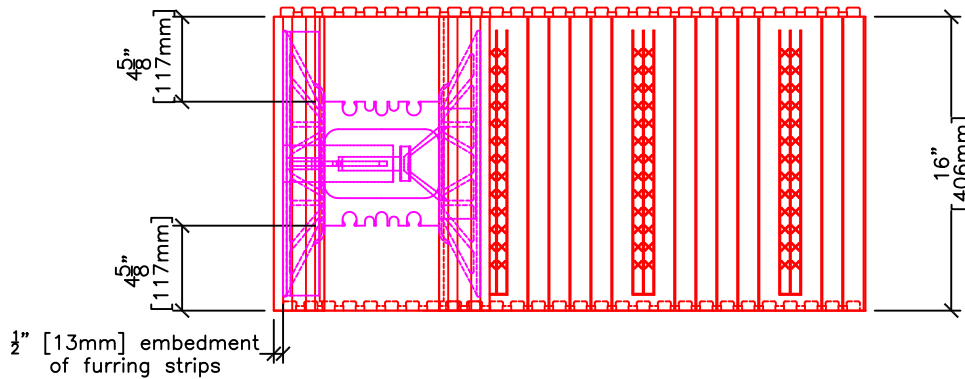
LEFT HAND CORNER FORM

**NOTES:**

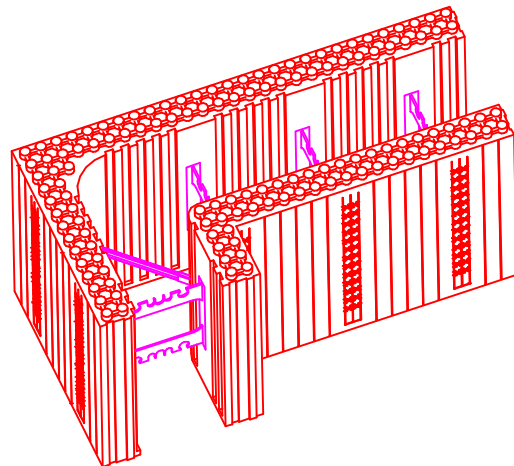
1. 6 $\frac{1}{4}$ " [159mm] Right Hand Corner Form shown



**PLAN VIEW**



**SIDE ELEVATION**



**FORM SIZES**

	4" (102mm)	6.25" (159mm)	8" (203mm)	10" (254mm)
A	4" (102mm)	6.25" (159mm)	8" (203mm)	10" (254mm)
B	9.5" (241mm)	11.75" (298mm)	13.5" (343mm)	15.5" (394mm)
C	3.5" (90mm)	3.375" (87mm)	2.25" (57mm)	2.125" (55mm)
D	7.67" (195mm)	7.67" (195mm)	6.125" (157mm)	5.875" (150mm)
E	32.125" (816mm)	32.125" (816mm)	32.125" (816mm)	34.5" (876mm)
F	16.125" (410mm)	16.125" (410mm)	16.125" (410mm)	18.5" (470mm)

\* 159mm (6.25"), 203mm (8"), 254mm (10"), and 305mm (12") knockdown forms will be available in 2008.