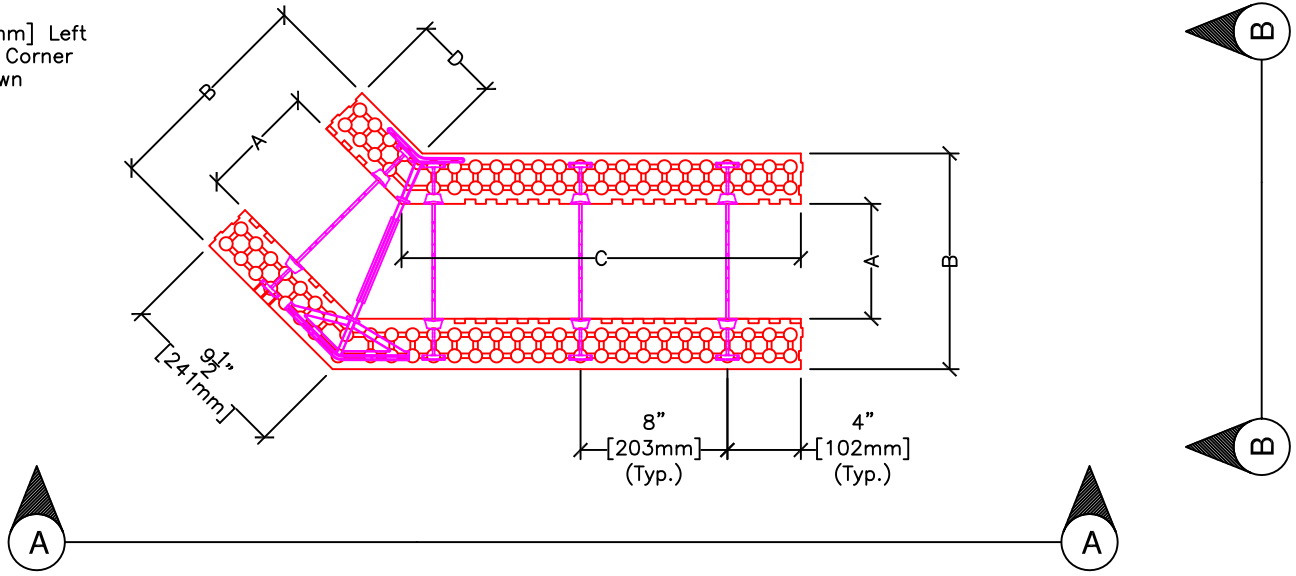
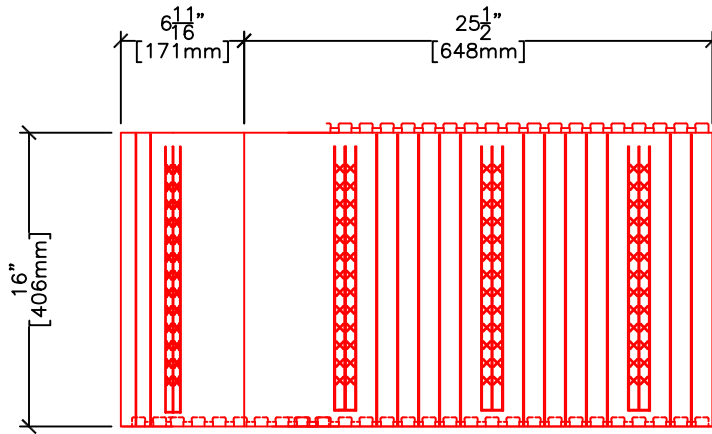


NOTES:

1. 6 $\frac{1}{4}$ " [159mm] Left Hand 45° Corner Form shown

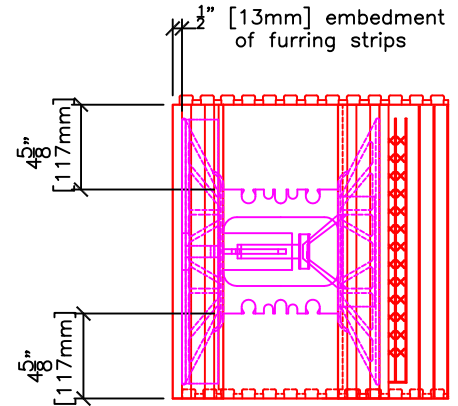


PLAN VIEW

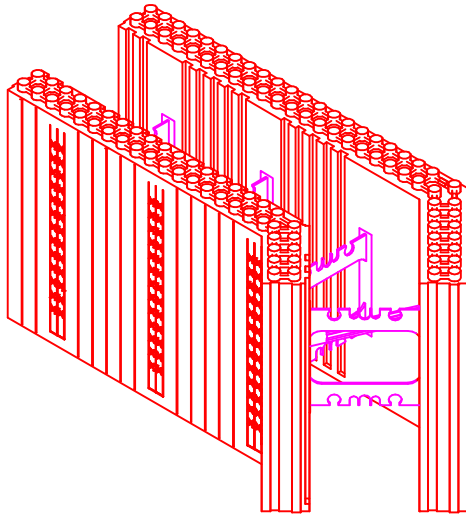


ELEVATION A-A

For clarity knobs partially removed in elevation views.



ELEVATION B-B



FORM SIZES

	4" (102mm)	6.25" (159mm)	8" (203mm)	10" (254mm)
A	4" (102mm)	6.25" (159mm)	8" (203mm)	-
B	9.5" (241mm)	11.75" (298mm)	13.5" (343mm)	-
C	22.75" (577mm)	21.75" (553mm)	21" (535mm)	-
D	5.5" (141mm)	4.625" (118mm)	3.875" (99mm)	-

* 4" [102mm] and 8" [203mm] sizes will be available soon.



The drawing represented herein is to be used as a reference guide only; the user shall check to ensure the drawing meets local building codes and construction practices, including any additional requirements. Logix reserves the right to make changes to the drawing without notice and assumes no liability in connection with the use of the drawing including modification, copying or distribution.

Drawing:
LH45-Rev7

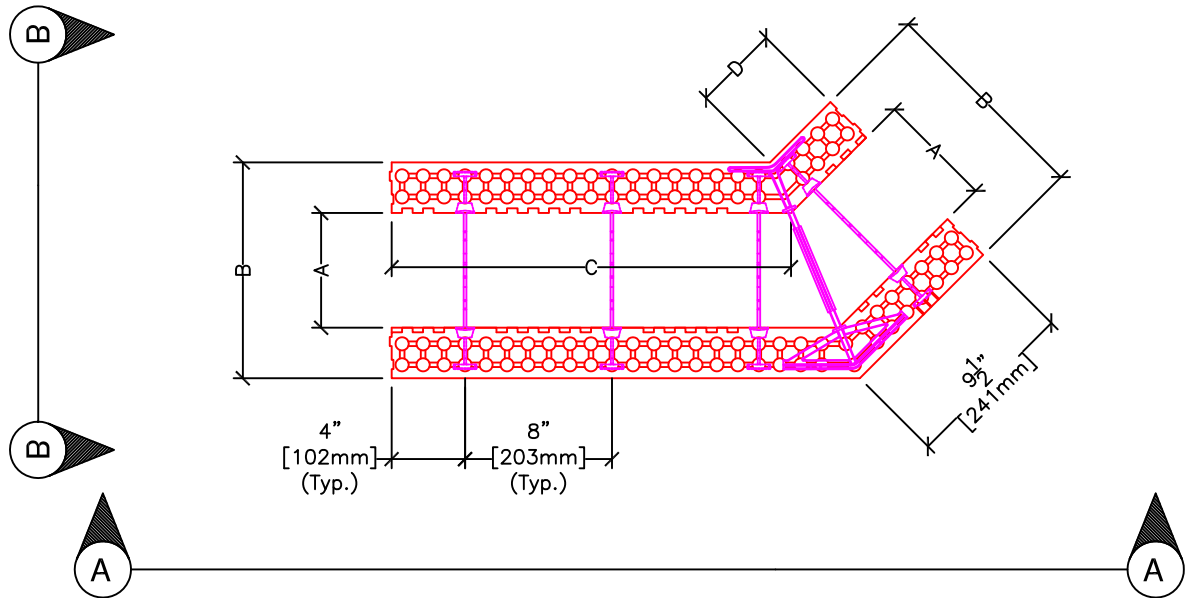
Date:
Feb 18/09

Title:

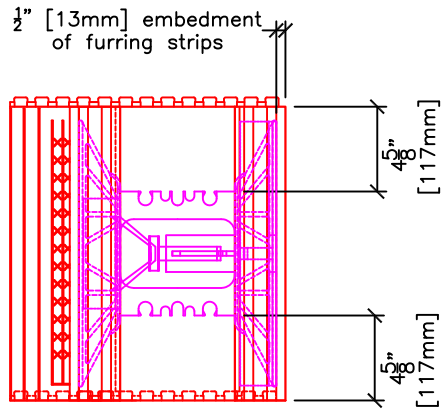
LEFT HAND 45° CORNER FORM

NOTES:

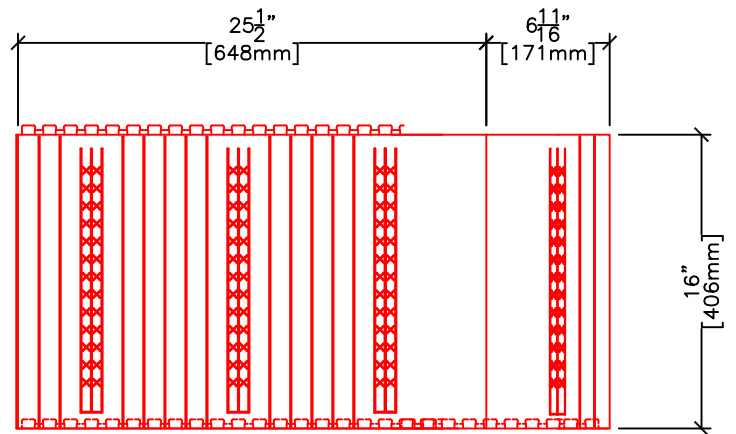
1. 6 $\frac{1}{4}$ " [159mm] Right Hand 45° Corner Form shown



PLAN VIEW

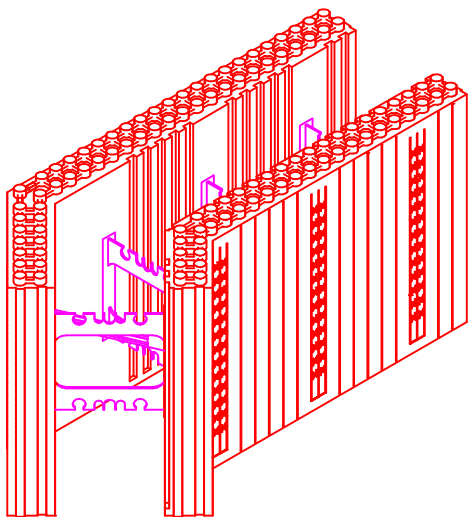


ELEVATION B-B



ELEVATION A-A

For clarity knobs partially removed in elevation views.



FORM SIZES

	4" (102mm)	6.25" (159mm)	8" (203mm)	10" (254mm)
A	4" (102mm)	6.25" (159mm)	8" (203mm)	-
B	9.5" (241mm)	11.75" (298mm)	13.5" (343mm)	-
C	22.75" (577mm)	21.75" (553mm)	21" (535mm)	-
D	5.5" (141mm)	4.625" (118mm)	3.875" (99mm)	-

* 4" [102mm] and 8" [203mm] sizes will be available soon.